



NUMBER: 07-001-10

GROUP: Cooling

DATE: February 4, 2010

This bulletin is supplied as technical information only and is not an authorization for repair. No part of this publication may be reproduced, stored in a retrieval system, or transmitted, in any form or by any means, electronic, mechanical, photocopying, or otherwise, without written permission of Chrysler Group LLC Corporation.

SUBJECT:

Belt Chirp When Steering Wheel Is At Full Lock With Engine RPM At Idle

OVERVIEW:

This bulletin involves inspecting the belt tensioner and if necessary replacing it.

MODELS:

| | | |
|------|------|----------------|
| 2010 | (KA) | Nitro |
| 2010 | (KK) | Liberty |
| 2010 | (WK) | Grand Cherokee |
| 2010 | (XK) | Commander |

NOTE: This bulletin applies to vehicles equipped with a 3.7L engine (Sales Code EKG) built before January 16, 2010 (MDH 0116XX).

SYMPTOM/CONDITION:

Some customers may experience a belt chirp sound. This sound will be noticeable when the steering wheel is in a full lock condition (right or left) and the engine RPM is at idle. This sound will go away once the RPM is increased.

Using a Scan Tool (wiTECH™ or StarMOBILE) with the appropriate Diagnostic Procedures available in TechCONNECT, verify the cooling system is functioning as designed. If DTC's are present record them on the repair order and repair as necessary before proceeding further with this bulletin.

If the above condition is present, perform the Repair Procedure.

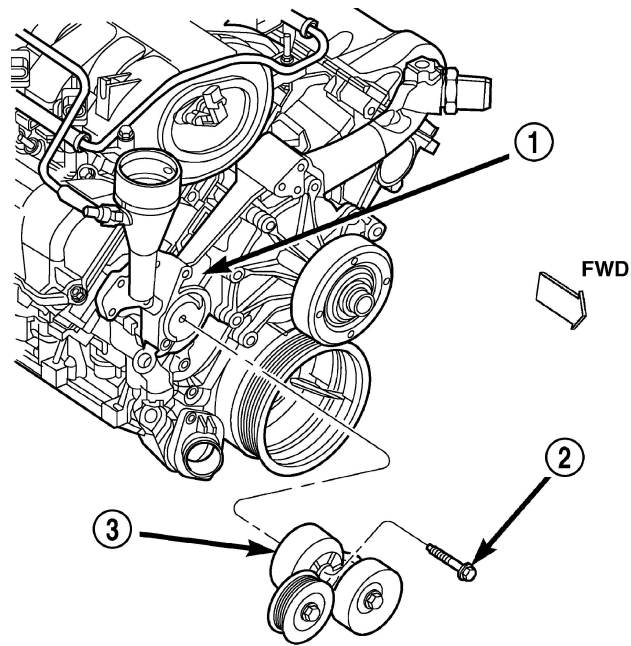
PARTS REQUIRED:

| Qty. | Part No. | Description |
|------|------------|-----------------------|
| 1 | 53030958AE | Tensioner, Drive Belt |

REPAIR PROCEDURE:

1. Open hood.
2. Read part number on the top front face of the belt tensioner (Fig. 1).

NOTE: It may be necessary to wipe dirt off the drive belt tensioner to read the part number.



80b898fb

Fig. 1 DRIVE BELT TENSIONER

- 1 - TIMING CHAIN COVER
- 2 - BOLT TORQUE TO 41 N·m (30 FT LBS)
- 3 - DRIVE BELT TENSIONER

- 3. Is the part number 53030958AE?
 - a. Yes >>> Further diagnosis in required.
 - b. No >>> Replace drive belt tensioner (p/n 53030958AE)

TIME ALLOWANCE:

| Labor Operation No: | Description | Amount |
|---------------------|-------------------------------------|----------|
| 07-20-18-91 | Tensioner, Drive Belt - Replace (C) | 0.4 Hrs. |

FAILURE CODE:

| | |
|----|----------------|
| ZZ | Service Action |
|----|----------------|